

**STREET SIDE**

(4) ANCHOR RODS  
(SEE NOTE #4)

8"  
(MIN BOLT CIRCLE)

9"  
(MAX/ REC. BOLT CIRCLE)

**NOTES:**

1. SUGGESTED BOLT CIRCLE: 8.50"  
MAXIMUM BOLT CIRCLE: 9.00"  
MINIMUM BOLT CIRCLE: 8.00"
2. LEVELING NUTS & WASHERS MAY BE USED TO MOUNT THE BASE - IF POSSIBLE. INCREASE "X" DIMENSION ACCORDINGLY IF USING LEVELING NUTS AND WASHERS.
3. ALLOW FOR DRAINAGE IF USING GROUTING TO CONCEAL GAPS BETWEEN BASE AND FOOTING.
4. ANCHOR ROD: MINIMUM: 1/2" DIA.  
MAXIMUM: 3/8" DIA.

**HAND HOLE THIS SIDE  
HOUSE SIDE**

TAPERED POLE

APPLY THREAD LUBRICANT  
(BY STONEBRIDGE) PRIOR  
TO INSTALLATION OF POLE.

2-PIECE OUTER  
'CLAMSHELL' BASE

INSERT TUBE &  
INNER BASE  
WELDMENT

HAND HOLE  
(DOOR & HOWE NOT  
SHOWN FOR CLARITY)

2-PIECE OUTER  
'CLAMSHELL' BASE

(4) MOUNTING  
WASHERS & NUTS  
(BY OTHERS)

"X"

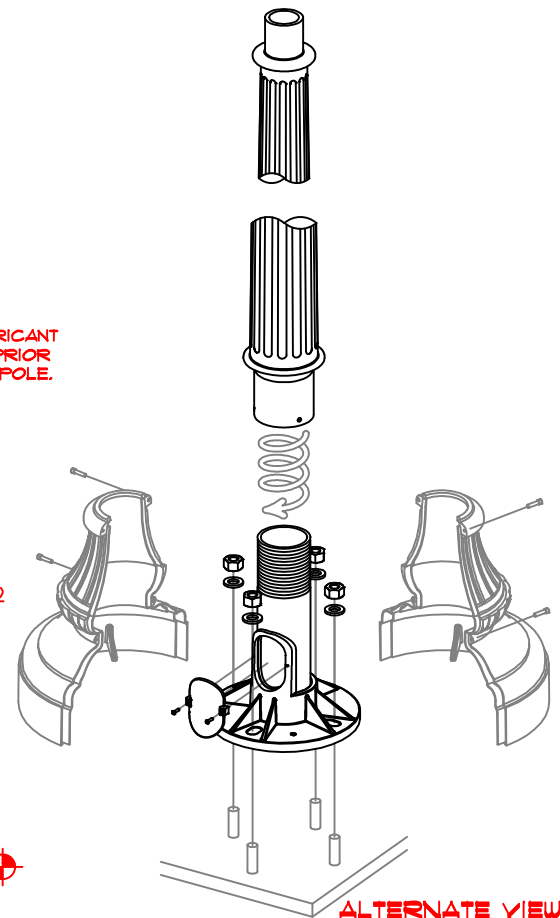
GROUND LINE

"LG."

FOOTER  
(BY OTHERS)

(4) HOT DIPPED GALVANIZED  
STEEL ANCHOR RODS  
(BY OTHERS)

**FOR USE WITH  
TAPERED, FLUTED  
POLES**

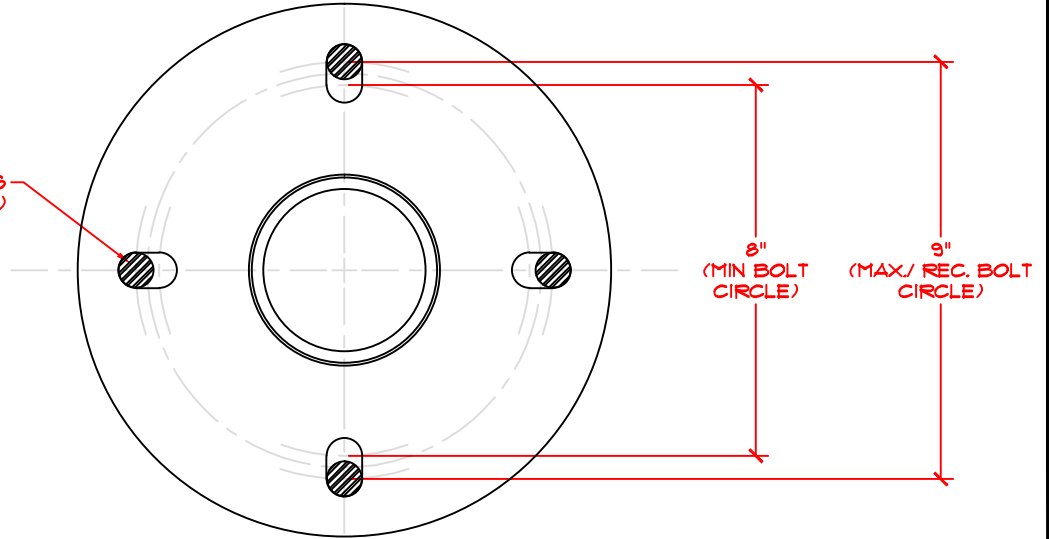


**ALTERNATE VIEW  
(FOR CLARITY)**

		INSTALLATION DETAILS FOR P20, P21, P22 & P23 ANCHOR-BOLT BASES	
THIS PRINT IS THE PROPRIETARY, INTELLECTUAL AND CONFIDENTIAL PROPERTY OF STONEBRIDGE LIGHTING AND MAY NOT BE USED OR REPRODUCED WITHOUT THE EXPRESS WRITTEN CONSENT OF STONEBRIDGE LIGHTING. ANY USE HEREOF OR OF ANY INFORMATION CONTAINED HEREIN SHALL BE FOR THE SOLE BENEFIT OF STONEBRIDGE LIGHTING OR ITS AFFILIATES. © 2008 STONEBRIDGE LIGHTING			
DWG. No. BASE_INST_AB	DATE 11/30/2012	DRAWN BY: R. A. M.	APPROVED BY: R.A.M.
UNLESS NOTED OTHERWISE ALL DIMENSIONS ARE IN INCHES ALL THREADS ARE UNC - 2A/B OR UNF 2A/B			

**STREET SIDE**

(4) ANCHOR RODS  
(SEE NOTE #4)



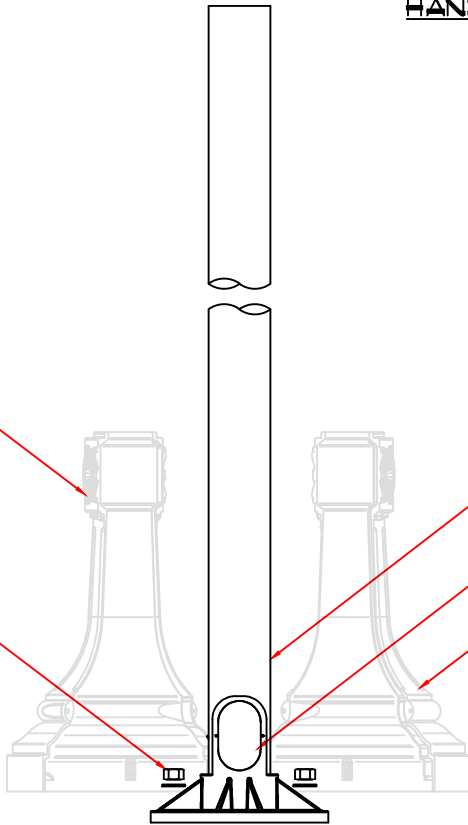
8"  
(MIN BOLT  
CIRCLE)

9"  
(MAX/ REC. BOLT  
CIRCLE)

**HAND HOLE THIS SIDE  
HOUSE SIDE**

2-PIECE OUTER  
'CLAMSHELL' BASE

(4) MOUNTING  
WASHERS & NUTS  
(BY OTHERS)



STRAIGHT SMOOTH  
POLE AND INNER  
BASE WELDMENT

HAND HOLE  
(DOOR & HOWE NOT  
SHOWN FOR CLARITY)

2-PIECE OUTER  
'CLAMSHELL' BASE

**NOTES:**

1. SUGGESTED BOLT CIRCLE: 8.50"  
MAXIMUM BOLT CIRCLE: 9.00"  
MINIMUM BOLT CIRCLE: 8.00"

2. LEVELING NUTS & WASHERS MAY BE USED TO  
MOUNT THE BASE - IF POSSIBLE, INCREASE  
"X" DIMENSION ACCORDINGLY IF USING  
LEVELING NUTS AND WASHERS.

3. ALLOW FOR DRAINAGE IF USING GROUTING  
TO CONCEAL GAPS BETWEEN BASE  
AND FOOTING.

4. ANCHOR ROD: MINIMUM: 1/2" DIA.  
MAXIMUM: 5/8" DIA.

"X"

"LG."

GROUND LINE

FOOTER  
(BY OTHERS)

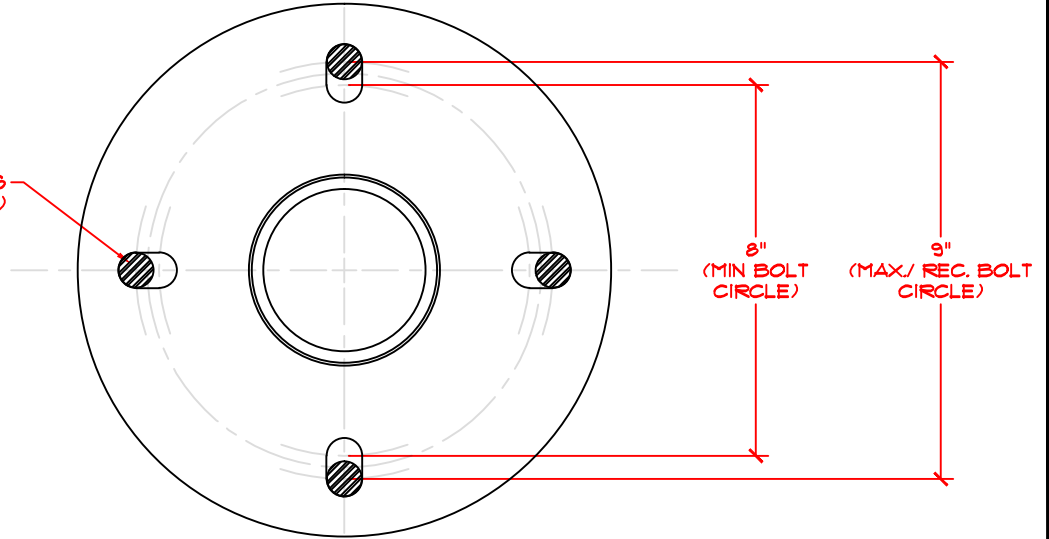
(4) HOT DIPPED GALVANIZED  
STEEL ANCHOR RODS  
(BY OTHERS)

**FOR USE WITH  
STRAIGHT, SMOOTH  
POLES**

		INSTALLATION DETAILS FOR P20, P21, P22 & P23 ANCHOR-BOLT BASES	
<small>THIS PRINT IS THE PROPRIETARY, INTELLECTUAL AND CONFIDENTIAL PROPERTY OF STONEBRIDGE LIGHTING AND MAY NOT BE USED OR REPRODUCED WITHOUT THE EXPRESS WRITTEN CONSENT OF STONEBRIDGE LIGHTING. ANY USE HEREOF OR OF ANY INFORMATION CONTAINED HEREIN SHALL BE FOR THE SOLE BENEFIT OF STONEBRIDGE LIGHTING OR ITS AFFILIATES. © 2008 STONEBRIDGE LIGHTING</small>			
DWG. No. BASE_INST_AB	DATE 11/30/2012	DRAWN BY: R. A. M.	APPROVED BY: R.A.M.
<small>UNLESS NOTED OTHERWISE ALL DIMENSIONS ARE IN INCHES ALL THREADS ARE UNC - 2A/B OR UNF 2A/B</small>			

**STREET SIDE**

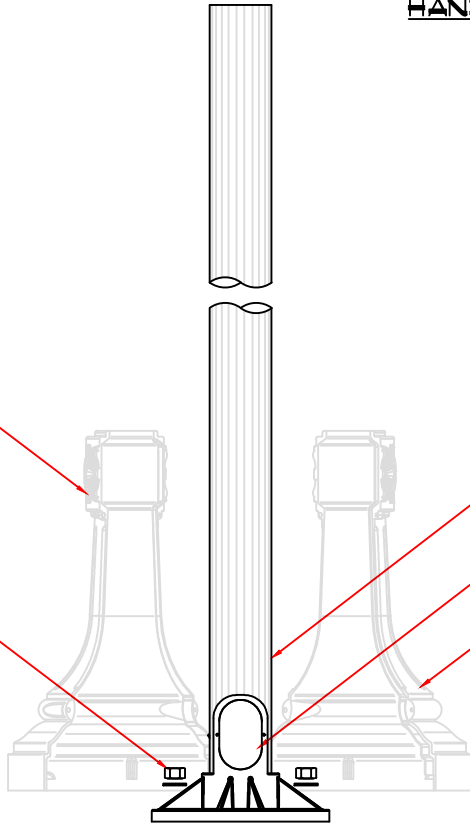
(4) ANCHOR RODS  
(SEE NOTE #4)



**HAND HOLE THIS SIDE  
HOUSE SIDE**

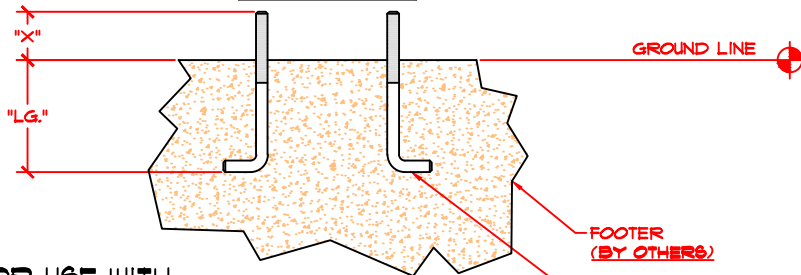
2-PIECE OUTER  
'CLAMSHELL' BASE

(4) MOUNTING  
WASHERS & NUTS  
(BY OTHERS)



**NOTES:**

1. SUGGESTED BOLT CIRCLE: 8.50"  
MAXIMUM BOLT CIRCLE: 9.00"  
MINIMUM BOLT CIRCLE: 8.00"
2. LEVELING NUTS & WASHERS MAY BE USED TO MOUNT THE BASE - IF POSSIBLE. INCREASE "X" DIMENSION ACCORDINGLY IF USING LEVELING NUTS AND WASHERS.
3. ALLOW FOR DRAINAGE IF USING GROUTING TO CONCEAL GAPS BETWEEN BASE AND FOOTING.
4. ANCHOR ROD: MINIMUM: 1/2" DIA.  
MAXIMUM: 5/8" DIA.



**FOR USE WITH  
STRAIGHT, FLUTED  
POLES**

		INSTALLATION DETAILS FOR P20, P21, P22 & P23 ANCHOR-BOLT BASES	
<small>THIS PRINT IS THE PROPRIETARY, INTELLECTUAL AND CONFIDENTIAL PROPERTY OF STONEBRIDGE LIGHTING AND MAY NOT BE USED OR REPRODUCED WITHOUT THE EXPRESS WRITTEN CONSENT OF STONEBRIDGE LIGHTING. ANY USE HEREOF OR OF ANY INFORMATION CONTAINED HEREIN SHALL BE FOR THE SOLE BENEFIT OF STONEBRIDGE LIGHTING OR ITS AFFILIATES. © 2008 STONEBRIDGE LIGHTING</small>			
DWG. No. BASE_INST_AB	DATE 11/30/2012	DRAWN BY: R. A. M.	APPROVED BY: R.A.M.
<small>UNLESS NOTED OTHERWISE ALL DIMENSIONS ARE IN INCHES ALL THREADS ARE UNC - 2A/B OR UNF 2A/B</small>			