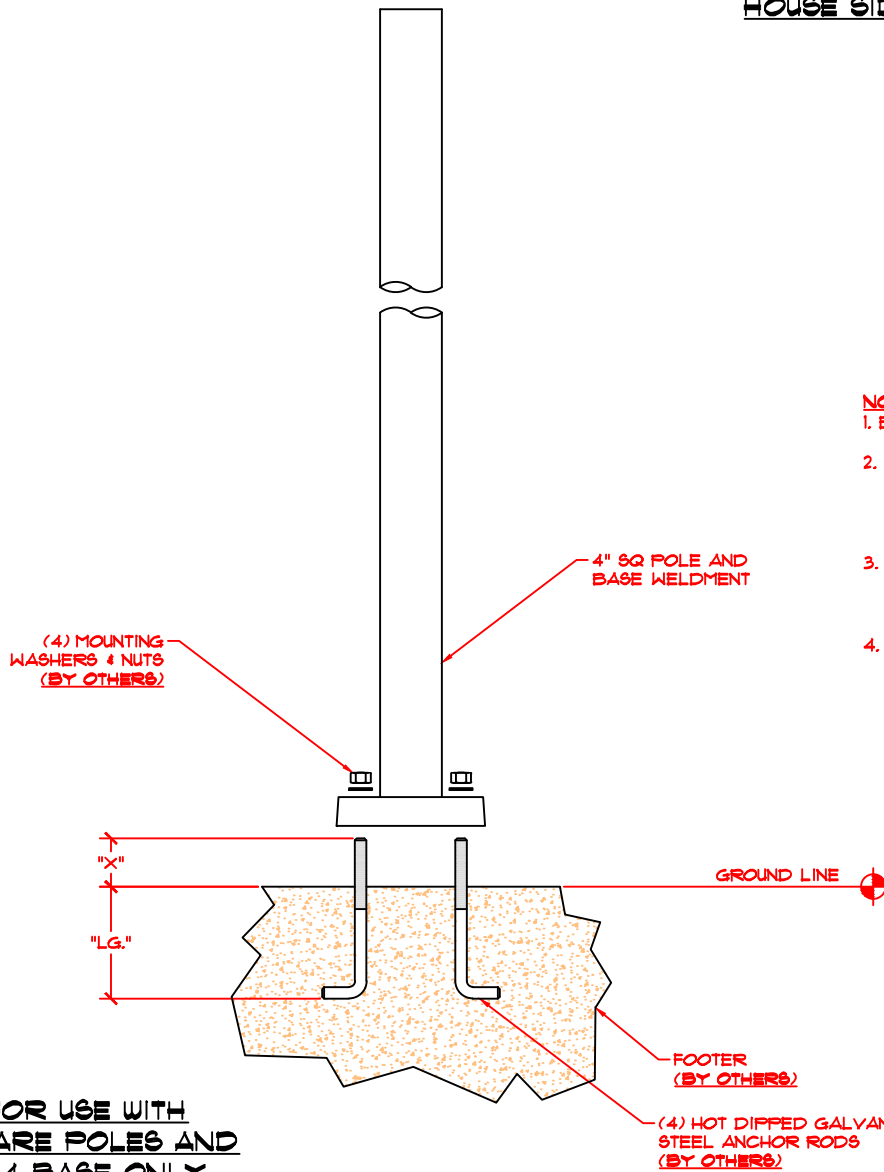


**HAND HOLE THIS SIDE
HOUSE SIDE**



- NOTES:**
1. BOLT CIRCLE: 9"
 2. LEVELING NUTS & WASHERS MAY BE USED TO MOUNT THE BASE - IF POSSIBLE. INCREASE "X" DIMENSION ACCORDINGLY IF USING LEVELING NUTS AND WASHERS.
 3. ALLOW FOR DRAINAGE IF USING GROUTING TO CONCEAL GAPS BETWEEN BASE AND FOOTING.
 4. ANCHOR ROD: 3/4" DIA.

**FOR USE WITH
SQUARE POLES AND
P24 BASE ONLY**

		INSTALLATION DETAILS FOR P24 ANCHOR-BOLT BASE	
<small>THIS PRINT IS THE PROPRIETARY, INTELLECTUAL AND CONFIDENTIAL PROPERTY OF STONEBRIDGE LIGHTING AND MAY NOT BE USED OR REPRODUCED WITHOUT THE EXPRESS WRITTEN CONSENT OF STONEBRIDGE LIGHTING. ANY USE HEREOF OR OF ANY INFORMATION CONTAINED HEREIN SHALL BE FOR THE SOLE BENEFIT OF STONEBRIDGE LIGHTING OR ITS AFFILIATES. © 2008 STONEBRIDGE LIGHTING</small>			
DWG. No. P24 BASE INST. AB	DATE 11/30/2012	DRAWN BY: R. A. M.	APPROVED BY: R. A. M.
<small>UNLESS NOTED OTHERWISE ALL DIMENSIONS ARE IN INCHES ALL THREADS ARE UNC - 2A/B OR UNF 2A/B</small>			