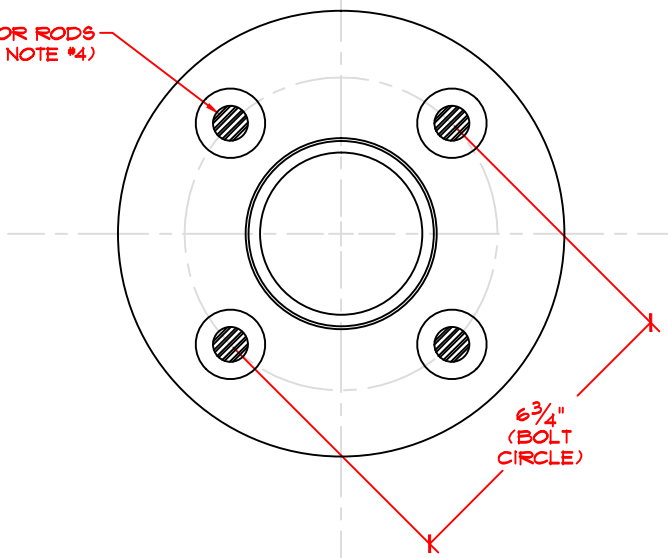


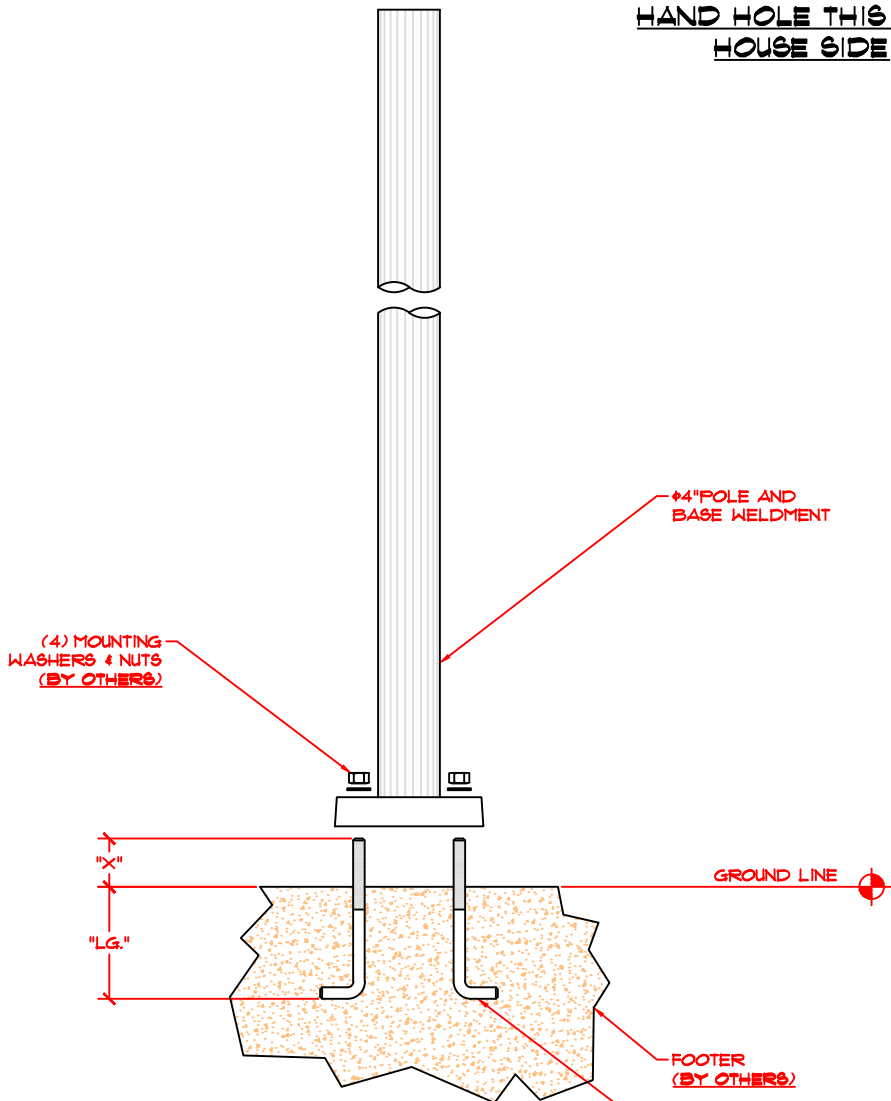
STREET SIDE

(4) ANCHOR RODS
(SEE NOTE #4)



6 3/4"
(BOLT
CIRCLE)

HAND HOLE THIS SIDE
HOUSE SIDE



NOTES:

1. BOLT CIRCLE: 6 3/4"
2. LEVELING NUTS & WASHERS MAY BE USED TO MOUNT THE BASE - IF POSSIBLE. INCREASE "X" DIMENSION ACCORDINGLY IF USING LEVELING NUTS AND WASHERS.
3. ALLOW FOR DRAINAGE IF USING GROUTING TO CONCEAL GAPS BETWEEN BASE AND FOOTING.
4. ANCHOR ROD: 3/4" DIA.

#4" POLE AND
BASE WELDMENT

(4) MOUNTING
WASHERS & NUTS
(BY OTHERS)

GROUND LINE

FOOTER
(BY OTHERS)

(4) HOT DIPPED GALVANIZED
STEEL ANCHOR RODS
(BY OTHERS)

**FOR USE WITH
P25 BASE ONLY**

		INSTALLATION DETAILS FOR P25 ANCHOR-BOLT BASE	
THIS PRINT IS THE PROPRIETARY, INTELLECTUAL AND CONFIDENTIAL PROPERTY OF STONEBRIDGE LIGHTING AND MAY NOT BE USED OR REPRODUCED WITHOUT THE EXPRESS WRITTEN CONSENT OF STONEBRIDGE LIGHTING. ANY USE HEREOF OR OF ANY INFORMATION CONTAINED HEREIN SHALL BE FOR THE SOLE BENEFIT OF STONEBRIDGE LIGHTING OR ITS AFFILIATES. © 2008 STONEBRIDGE LIGHTING			
DWG. No. P25 BASE INST. AB	DATE 11/30/2012	DRAWN BY: R. A. M.	APPROVED BY: R. A. M.
UNLESS NOTED OTHERWISE ALL DIMENSIONS ARE IN INCHES ALL THREADS ARE UNC - 2A/B OR UNF 2A/B			